

First, we ordered:

One Hard tackle box:

*Plano® StowAway™ Rack Organizer System – 932*



And one replacement tray:



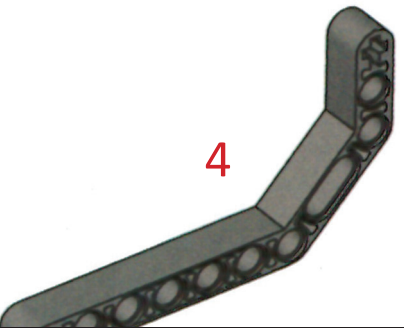

*Plano® ProLatch™ StowAway® Utility Box with VCI Pro Chips - 23750-50*

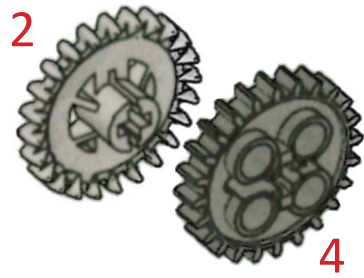


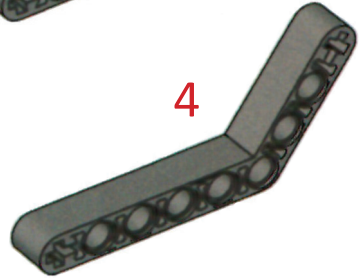








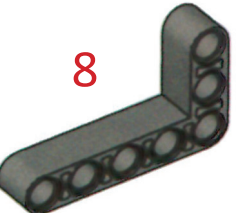
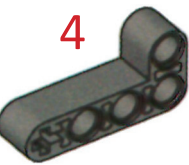


Both were available from Bass Pro Shops online but are also sold at many other retail establishments. You will replace one of the large utility boxes from the Plano 930 with the 23750-50 utility box. In our system the 23750 box becomes tray 3, since it has larger compartments that accommodate the intelligence brick and large wheels.

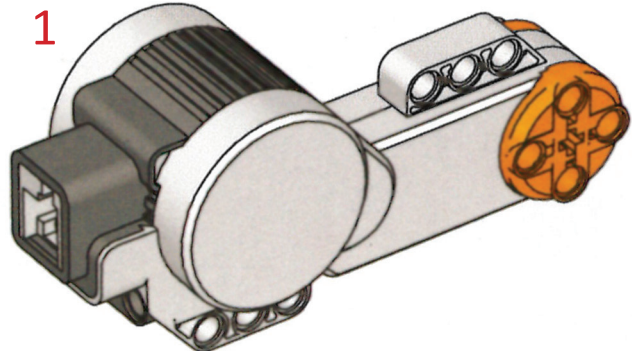
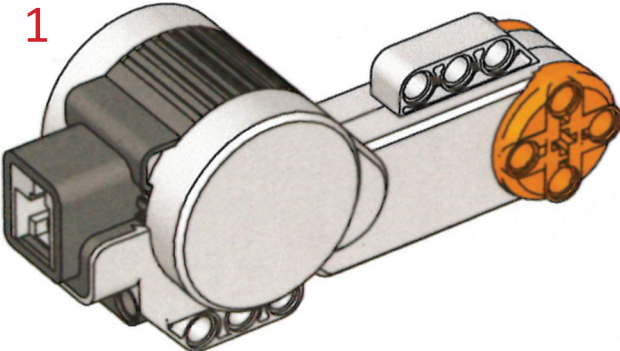
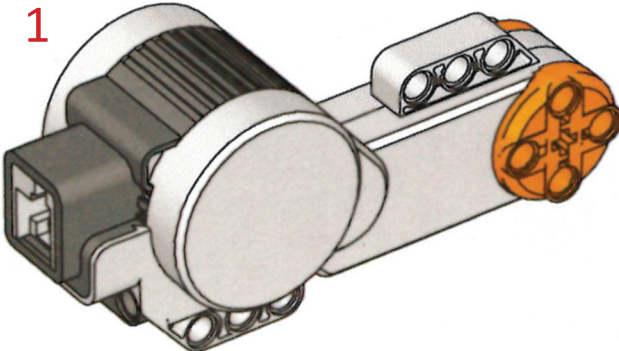
Trays Set-Up:

1. Print the large trays-squashed file on 8 ½ x 14 inch paper (I had to change the printer specs to be sure they didn't print 8 ½ x 11.) We used cardstock—which can be hard to find in legal size—or you can laminate them.
  - a. Trim the paper to the rectangular outlines.
  - b. Set up the large tray partitions according to the diagrams.
  - c. Take one black-clasp tray out of the kit and use the red-clasped tray as Tray 3.
  - d. Tape diagrams to the inside of the tray covers. The lego pieces are shown almost actual size (so you can hold them up to the diagram and match them to the right compartment as you put them away) but the compartments are a bit squashed so that the diagram can fit inside the tray covers.
2. Print the small trays file on 8 ½ x 11 paper stock.
  - a. These diagrams also get trimmed and taped to fit inside the small tray covers.
3. Print the Cover blank file on 8 ½ x 14 inch paper. There's lots of white space so you can add identifying information.
  - a. The cover sheet gets taped inside the tackle box cover.
4. Finally, I've attached a word document with the tray labels that help identify the trays within the kit.

<p>2</p>  <p>2</p>	<p>4</p> <p>[Might be together in one piece]</p>  <p>4</p>	<p>4</p> 	<p>4 15-hole straight bar</p> 
---	---	--	---

<p>2</p>  <p>4</p>	<p>2</p>  <p>2</p>	<p>4</p>  <p>2</p>	<p>4</p> 	<p>4</p> 	<p>2 13-hole straight bar</p>  <p>2 11-hole straight bar</p> 
---	---	---	--	--	---

<p>2</p>  <p>4</p>	<p>4</p> 	<p>4 7-hole straight bar</p> 	<p>8</p> 	<p>4</p> 	<p>6 9-hole straight bar</p> 	<p>4</p> 
--	---	--	---	---	--	---

<p>1</p> 	<p>1</p> 	<p>1</p> 
--	--	--

4 15-hole straight bar



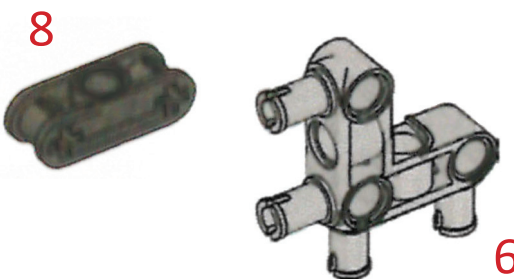
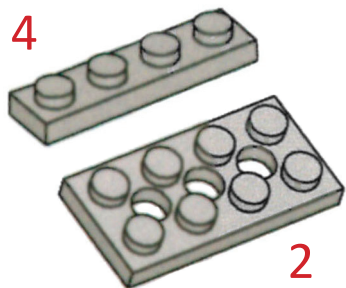
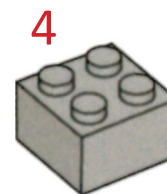
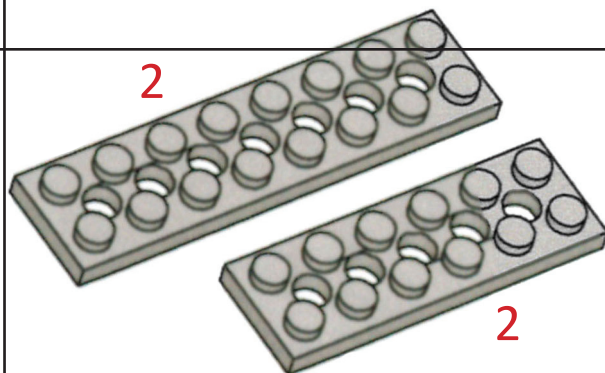
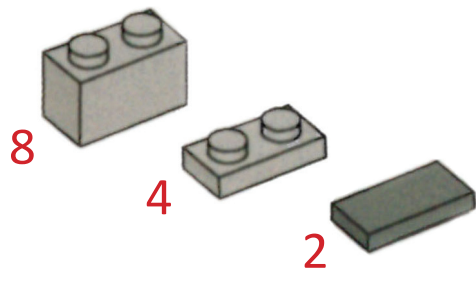
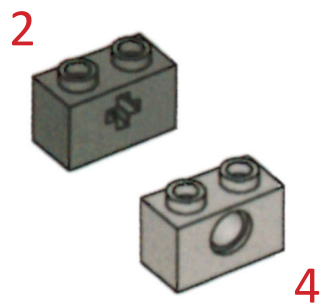
4 7-hole straight bar



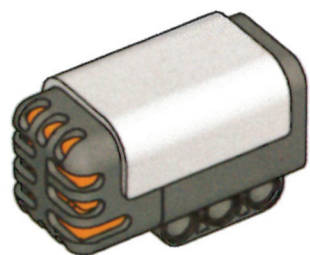
4 5-hole straight bar



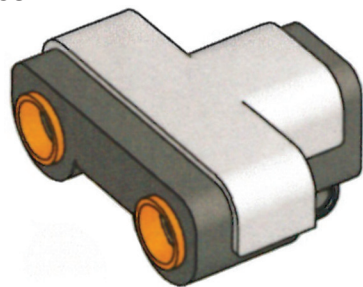
4 3-hole straight bar



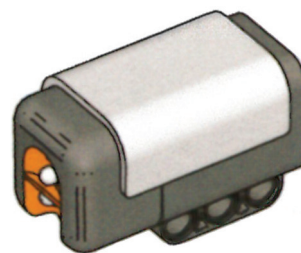
1 Sound dB sensor



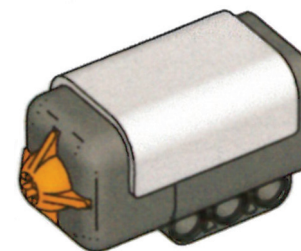
1 Ultrasonic sensor



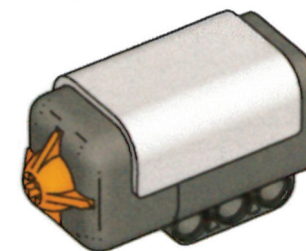
1 Reflected light sensor

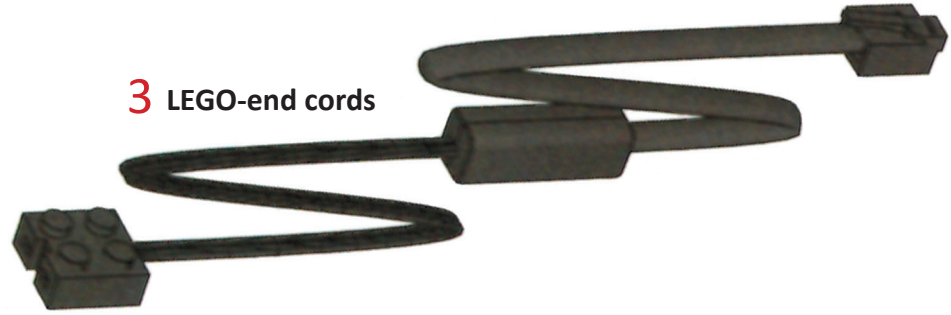


1 Touch sensor

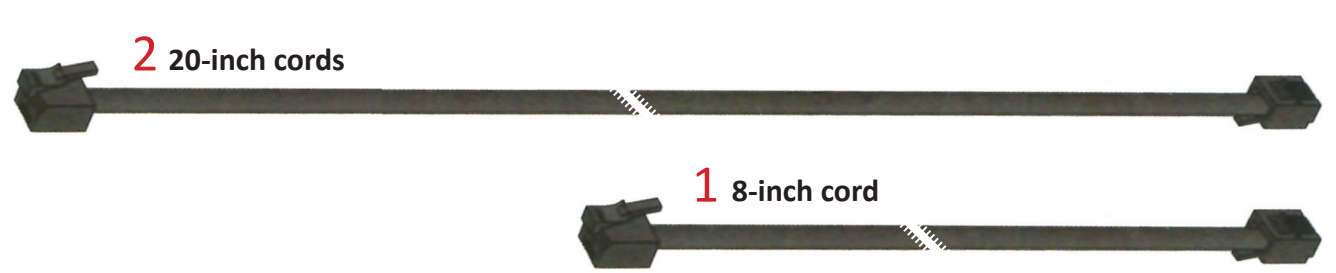


1 Touch sensor





3 LEGO-end cords



2 20-inch cords

1 8-inch cord



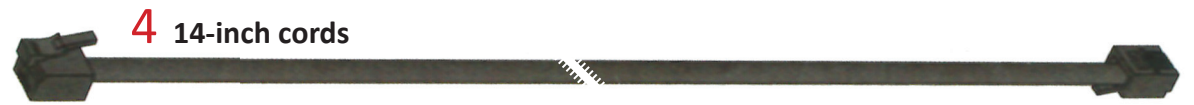
1 USB cable



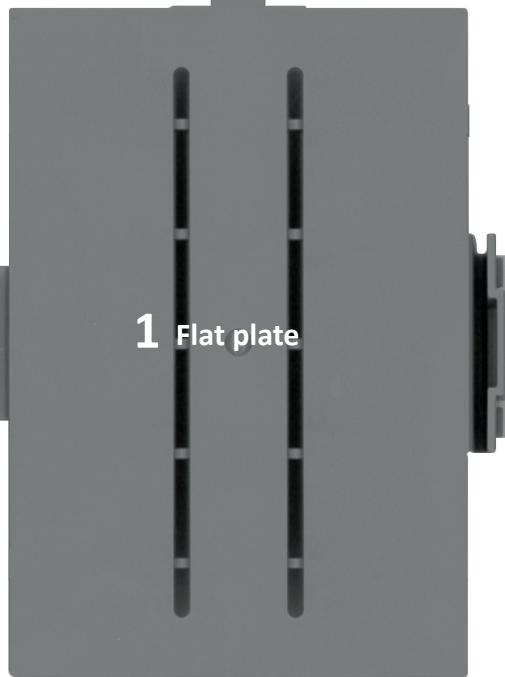
1 Red ball



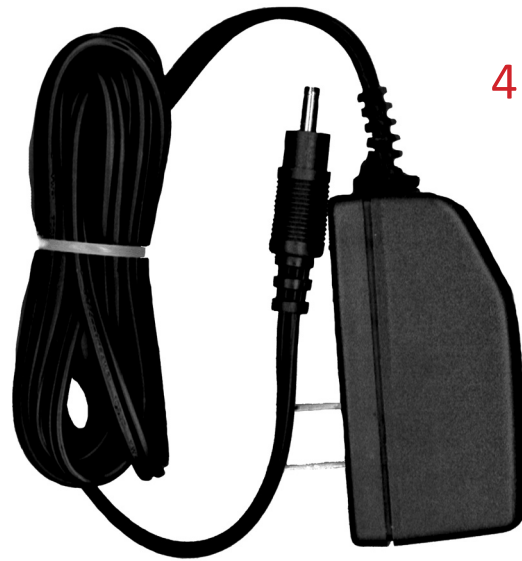
1 Blue ball



4 14-inch cords



1 Flat plate

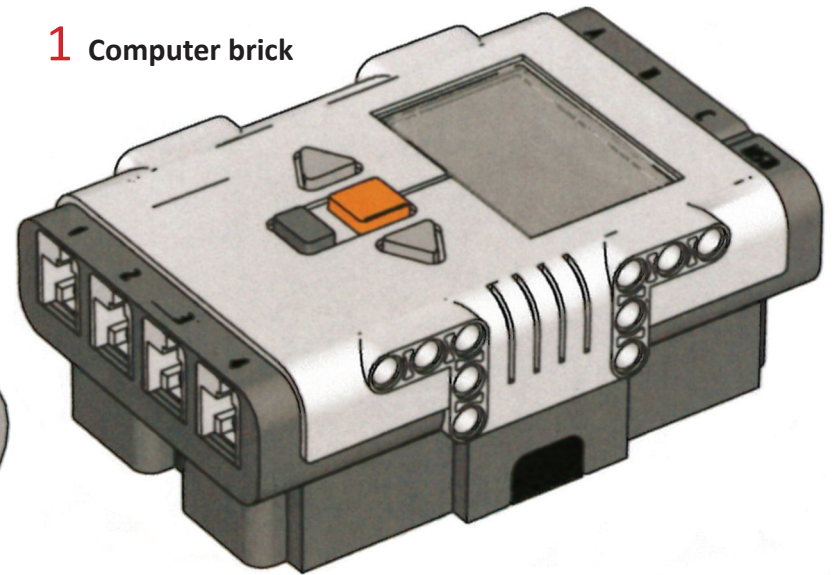


1 Charger

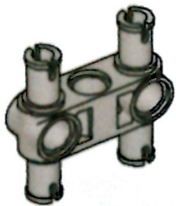
4 Wheels



1 Computer brick



2



2



2



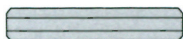
2



2



14



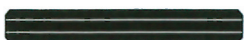
.85 inches

8



1.5 inches

6



1.25 inches

4



1.75 inches

2



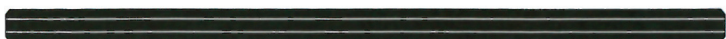
2.5 inches

2

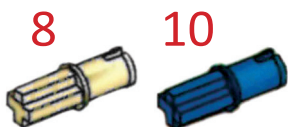
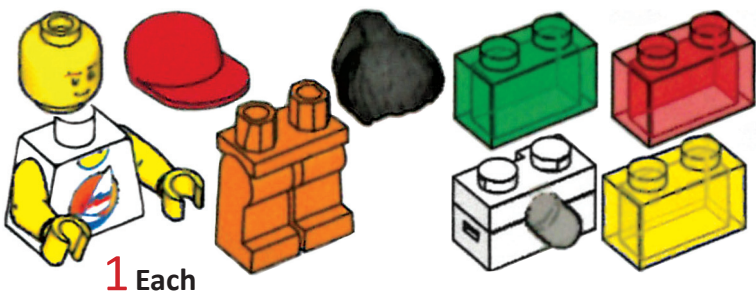
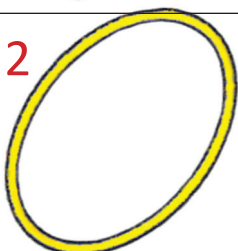
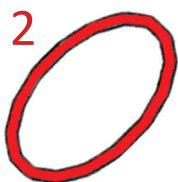
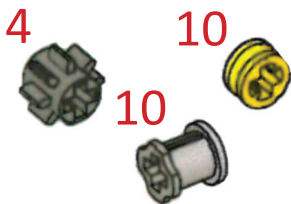
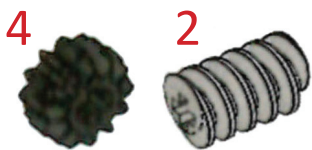
2



3.0 inches



3.75 inches



**TRAY 1**

**TRAY 2**

**TRAY 3**

**SMALL LEFT**

**SMALL RIGHT**

**TRAY 1**

**TRAY 2**

**TRAY 3**

**SMALL LEFT**

**SMALL RIGHT**

**TRAY 1**

**TRAY 2**

**TRAY 3**

**SMALL LEFT**

**SMALL RIGHT**

**TRAY 1**

**TRAY 2**

**TRAY 3**

**SMALL LEFT**

**SMALL RIGHT**

**TRAY 1**

**TRAY 2**

**TRAY 3**

**SMALL LEFT**

**SMALL RIGHT**

**TRAY 1**

**TRAY 2**

**TRAY 3**

**SMALL LEFT**

**SMALL RIGHT**